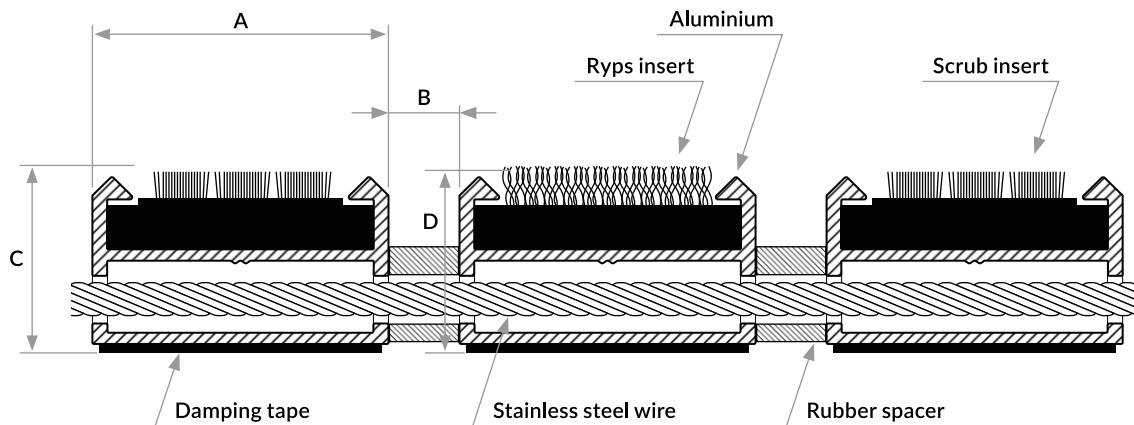


## ENTRANCE MATTING SYSTEM CLEAN SYSTEM RYPS/SCRUB



|                                    | A [mm] | B [mm] | Scrub C [mm] | Ryps D [mm] |
|------------------------------------|--------|--------|--------------|-------------|
| Clean System Ryps/Scrub 12         | 30     | 3-5    | 18           | 15          |
| Clean System Ryps/Scrub 17         | 30     | 3-5    | 22           | 18          |
| Clean System Ryps/Scrub 22         | 30     | 3-5    | 25           | 22          |
| Clean System Ryps/Scrub 27         | 30     | 3-5    | 32           | 28          |
| Clean System Ryps/Scrub 22 Strong  | 32     | 3-5    | 25           | 22          |
| Clean System Ryps/Scrub 22 Premium | 51     | 3-5    | 25           | 22          |

### ■ PRODUCT SPECIFICATION:

Doormats Clean System Ryps/Scrub are made of aluminium with Ryps and Scrub insert. Profiles are coupled with stainless steel cord. Aluminium profiles are separate with rubber spacers. Construction allow us to easy roll for clearing and transporting the mat. Under aluminium profile is dumping tape.

Free space between aluminium profiles can have between 3mm and 4,5mm.

Construction of doormats allow us to manufacture mats in any dimensions and shapes. Width of the mat is obtained as a result of cutting the profiles and length is obtained as a result of adding aluminium profiles and squeezing rubber spacers.

|   |   |
|---|---|
| Hygienic certificate  | HK/B/0628/01/2014   |
| Determination of the anti-slip property according to DIN 51130:2014   | R13/R11   |
| Reaction to fire classification according to PN-EN 13501-1+A1:2010  | C <sub>fl</sub> - s1  |
| Profile material  | EN AW 6063 T6   |
| Static load   | 3 500 kg/100 cm <sup>2</sup> - standard version<br>10 000 kg/100 cm <sup>2</sup> - strong version |
| <b>Textile insert</b>   |   |
| Manufacturing process   | felting   |
| Fiber composition   | 100% polypropylene (PP) ISO 2424  |
| Fiber weight  | 1 180 g/m <sup>2</sup>  |
| Fiber height  | 4 mm ISO 1765   |
| Total mass  | 3 630 g/m <sup>2</sup> +/- 15% ISO 8543   |
| Total thickness   | 9,5 mm + 15%/-10% ISO 1765  |
| Material permanently antistatic   | ISO 6356  |
| <b>Scrub Insert</b>   |   |
| PA6.6 fibre with the thickness of   | 0,4 mm  |
| Base profile material   | PP  |
| Stainless steel wire with the thickness of  | 0,7 mm  |
| According to the manufacturer declaration, the scrub insert meets the requirements of the EU directive 2002/95/EC, which entered into force on 1 July 2006, and is manufactured in accordance with the ROHS 2002/95/EC directive. |   |