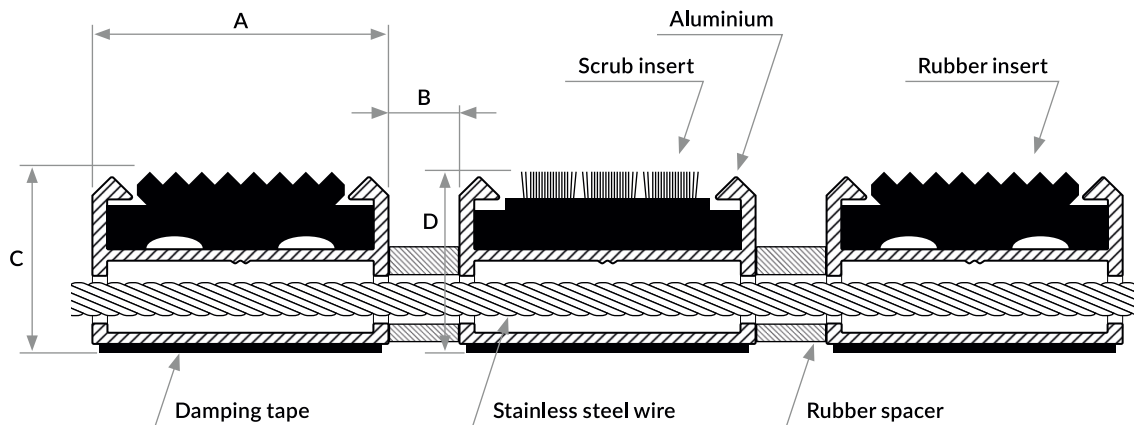


ENTRANCE MATTING SYSTEM CLEAN SYSTEM SCRUB/RUBBER



	A [mm]	B [mm]	Rubber C [mm]	Scrub D [mm]
Clean System Scrub/Rubber 12	30	3-5	15	18
Clean System Scrub/Rubber 17	30	3-5	18	22
Clean System Scrub/Rubber 22	30	3-5	22	25
Clean System Scrub/Rubber 27	30	3-5	28	32
Clean System Scrub/Rubber 22 Strong	32	3-5	22	25
Clean System Scrub/Rubber 22 Premium	51	3-5	22	25

■ PRODUCT SPECIFICATION:

Doormats Clean System Scrub/Rubber are made of aluminum with Rubber and Scrub insert. Profiles are coupled with stainless steel cord. Aluminum profiles are separate with rubber spacers. Construction allow us to easy roll for clearing and transporting the mat. Under aluminum profile is dumping tape.

Free space between aluminum profiles can have between 3mm and 4,5mm.

Construction of doormats allow us to manufacture mats in any dimensions and shapes. Width of the mat is obtained as a result of cutting the profiles and length is obtained as a result of adding aluminum profiles and squeezing rubber spacers.

Hygienic certificate	HK/B/0628/01/2014
Determination of the anti-slip property according to DIN 51130:2014	R13/R12
Reaction to fire classification according to PN-EN 13501-1+A1:2010	C _{fl} - s1
Profile material	EN AW 6063 T6
Static load	3 500 kg/100 cm ² - standard version 10 000 kg/100 cm ² - strong version
Rubber Insert	
Insert material	SEBS
Density	1,18 g/cm ³
Hardness	70±3 ShA
Tensile strength	>6 MPa
Scrub Insert	
PA6.6 fibre with the thickness of	0,4 mm
Base profile material	PP
Stainless steel wire with the thickness of	0,7 mm
According to the manufacturer declaration, the scrub insert meets the requirements of the EU directive 2002/95/EC, which entered into force on 1 July 2006, and is manufactured in accordance with the ROHS 2002/95/EC directive.	