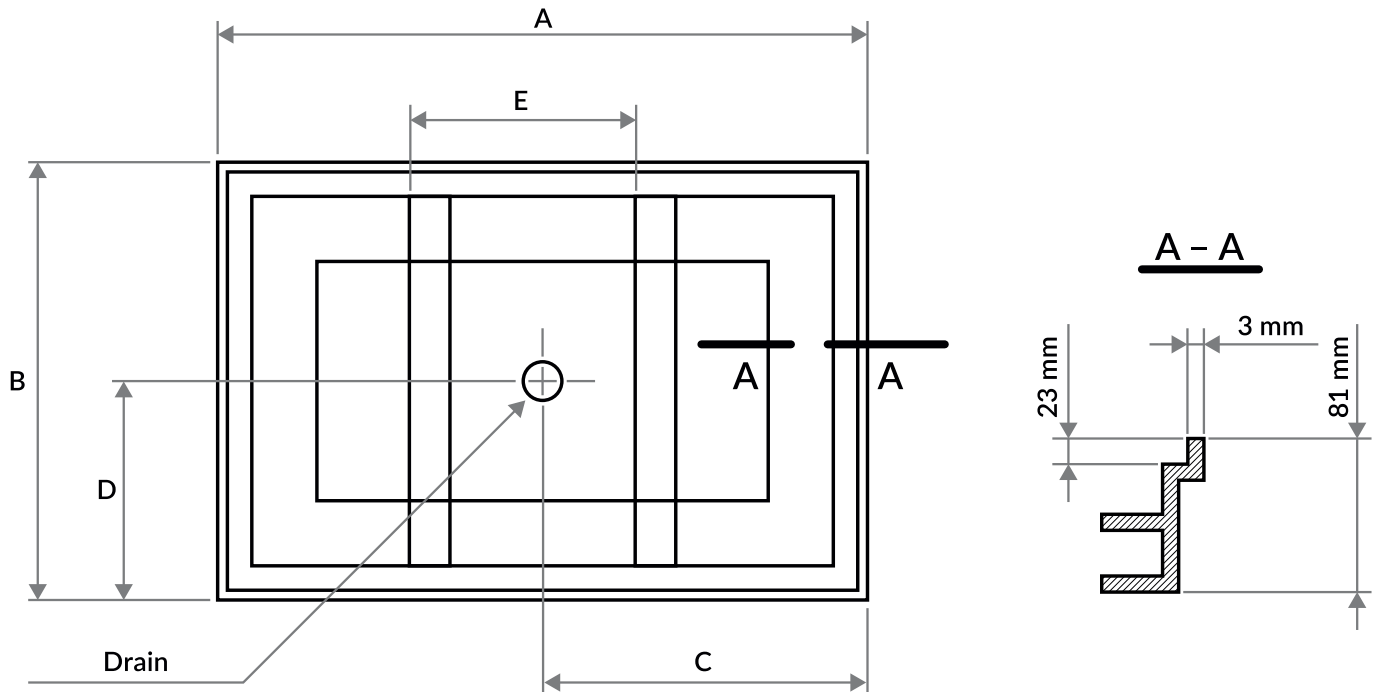


DIRT COLLECTING TRAY FOR CLEAN SYSTEM COMMERCIAL ENTRANCE DOOR MATS



A [cm]	B [cm]	C [cm]	D [cm]	E [cm]	Drain hole diameter [cm]	Drain diameter [cm]
max 500	max 300	made-to-order	made-to-order	30	8,6	4

■ TECHNICAL SPECIFICATION:

This aluminium dirt collecting tray for the Clean System facility matting is manufactured from sections and aluminium sheets. The tray components are screwed together.

The drain can be located at the bottom of the tray base in any place agreed with the customer (dimensions C and D). As a standard, a hole with the diameter of 8.6 cm is cut in the sheet, and a plastic drain with the nominal diameter of 3.8 cm is placed inside.

The total height of the tray profile is 81 mm. The recess of 23 mm allows for the use of mats with 22 and 22 STRONG profiles.

The standard spacing of the crossbars supporting the mat is 30 cm and it can be changed depending on the expected loads and the size of the tray. Supporting crossbars are placed parallel to the traffic direction. The maximum size of a single dirt collection tray is 100 × 100 cm. In case of larger surfaces, more trays should be used that are combined in away allowing for placement of one large mat in the joined multi-part tray.

Declaration of performance **CE**